

| Sıra No | Grup Adı | Montaj Adı | Alt Montaj Adı |
|--------------|----------------|------------|----------------|
| TDSP120H-1.3 | ŞANZİMAN GRUBU | | |

YEDEK PARÇA LİSTESİ / SPARE PARTS LİST
GEARBOX GRUOP / TDSP120H-1.3

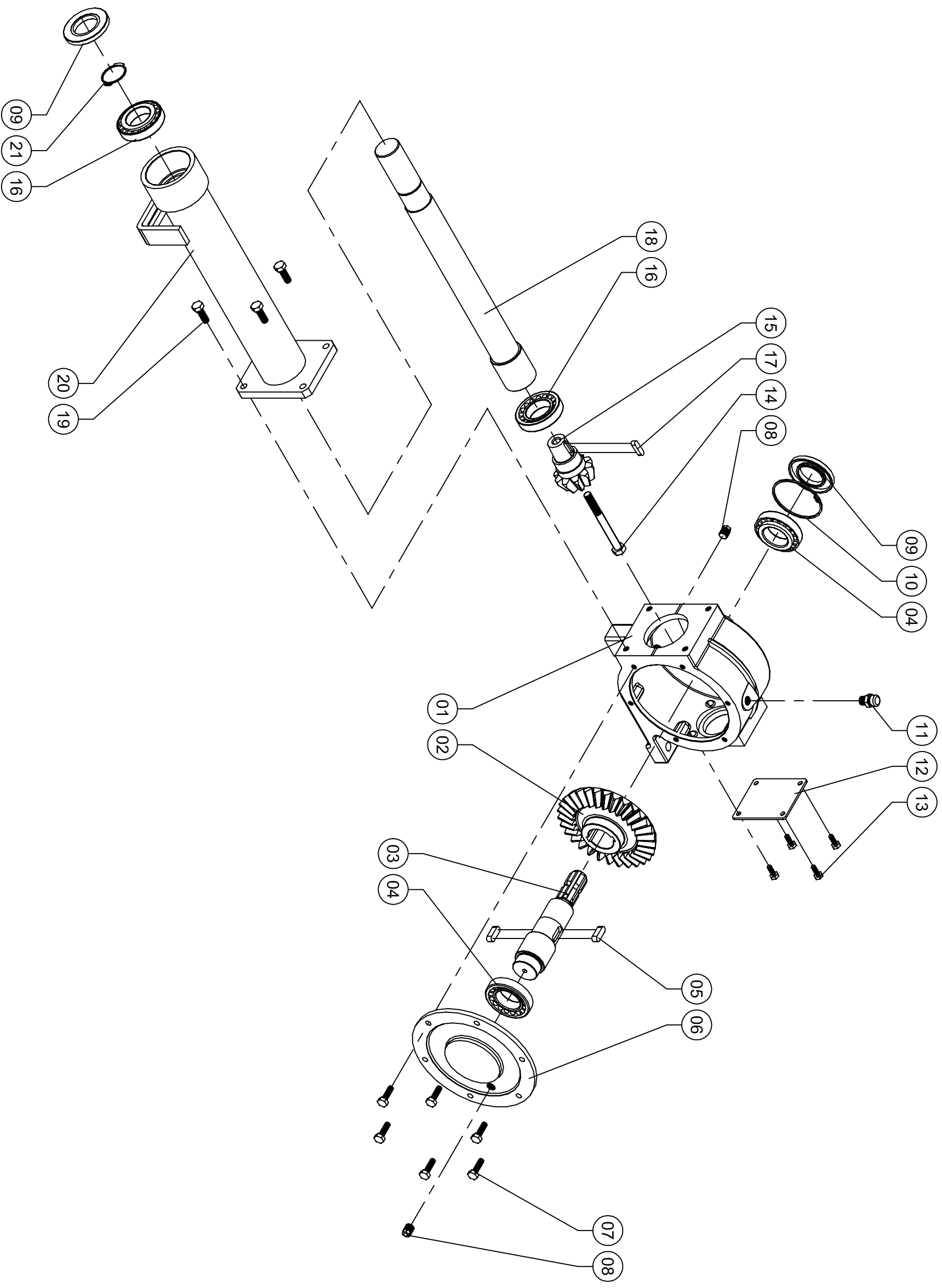
...

| Poz Numarası Pos.number | Adet Amount | Sipariş Numarası Order Number | Açıklama Explanation | Standart Norm | Eski Kodu |
|-------------------------------|----------------|----------------------------------|----------------------------------|------------------|-----------------|
| 1 | 1 | 122.0301201.130.001.0100 | GEARBOX HOUSING | | TDSP200M-1.3.1 |
| 02 | 1 | 122.0301201.130.001.0305 | BEVEL GEAR Z = 30 | | TDSP200M-1.3.2 |
| 03 | 1 | 122.0301201.130.001.0500 | SHAFT | | TDSP200M-1.3.3 |
| 04 | 2 | 93053.0000000.043 | BEARING-RUL 30210 | | |
| 05 | 2 | 93110.0000000.011 | COTTER- 12x8x35 A DIN6885 | DIN6885 | |
| 06 | 1 | 122.0301201.130.001.0600 | GEARBOX COVER | | TDSP200M-1.3.6 |
| 07 | 6 | 93011.0000000.003 | BOLT- CIV AKB M10x1,5x25 8.8 | | |
| 08 | 2 | 93152.0000000.008 | PLUG-M20x1,5 | | |
| 09 | 2 | 93021.0000000.019 | FELT OIL- 50x90x10 | | |
| 10 | 1 | 93172.0000000.014 | CIRCLIP- DELIK DIN472 Ø90x3 CK75 | DIN472 | |
| 11 | 1 | 93152.0000000.012 | PLUG- M20X1,5 | | |
| 12 | 1 | 122.0301201.130.001.0700 | GEARBOX CONNECTION SHEET | | TDSP200M-1.3.12 |

YEDEK PARÇA LİSTESİ / SPARE PARTS LİST
GEARBOX GRUOP / TDSP120H-1.3

...

| Poz Numarası Pos.number | Adet Amount | Sipariş Numarası Order Number | Açıklama Explanation | Standart Norm | Eski Kodu |
|-------------------------------|----------------|----------------------------------|--------------------------------|------------------|-------------------|
| 13 | 4 | 93011.0000000.047 | BOLT- CIV AKB M8x1,25x20 8.8 | | |
| 14 | 1 | 93011.0000000.023 | BOLT- CIV AKB M14x2x150x40 8.8 | | |
| 15 | 1 | 122.0301201.130.001.0406 | BEVEL PINION- Z = 10 | | TDSP200M-1.3.15 |
| 16 | 2 | 93053.0000000.043 | BEARING-RUL 30210 | | |
| 17 | 1 | 93110.0000000.007 | COTTER-10x8x35 A DIN6885 | DIN6885 | DIN 6885 A10x8x35 |
| 18 | 1 | 122.0301801.130.001.0200 | SPINDLE | | TDSP120H-1.3.18 |
| 19 | 4 | 93011.0000000.013 | BOLT-CIV AKB M12x1,5x30 8.8 | | |
| 20 | 1 | 122.0301801.130.001.0100 | GEARBOX BODY PIPE | | TDSP120H-1.3.24 |
| 21 | 1 | 93171.0000000.018 | CIRCLIP- MIL DIN471 Ø50x3 CK75 | DIN471 | |



| Sıra No | Grup Adı | Montaj Adı | Alt Montaj Adı |
|--------------|----------------|------------|----------------|
| TDSP135H-1.3 | ŞANZİMAN GRUBU | | |

YEDEK PARÇA LİSTESİ / SPARE PARTS LİST
GEARBOX GROUP / TDSP135H-1.3

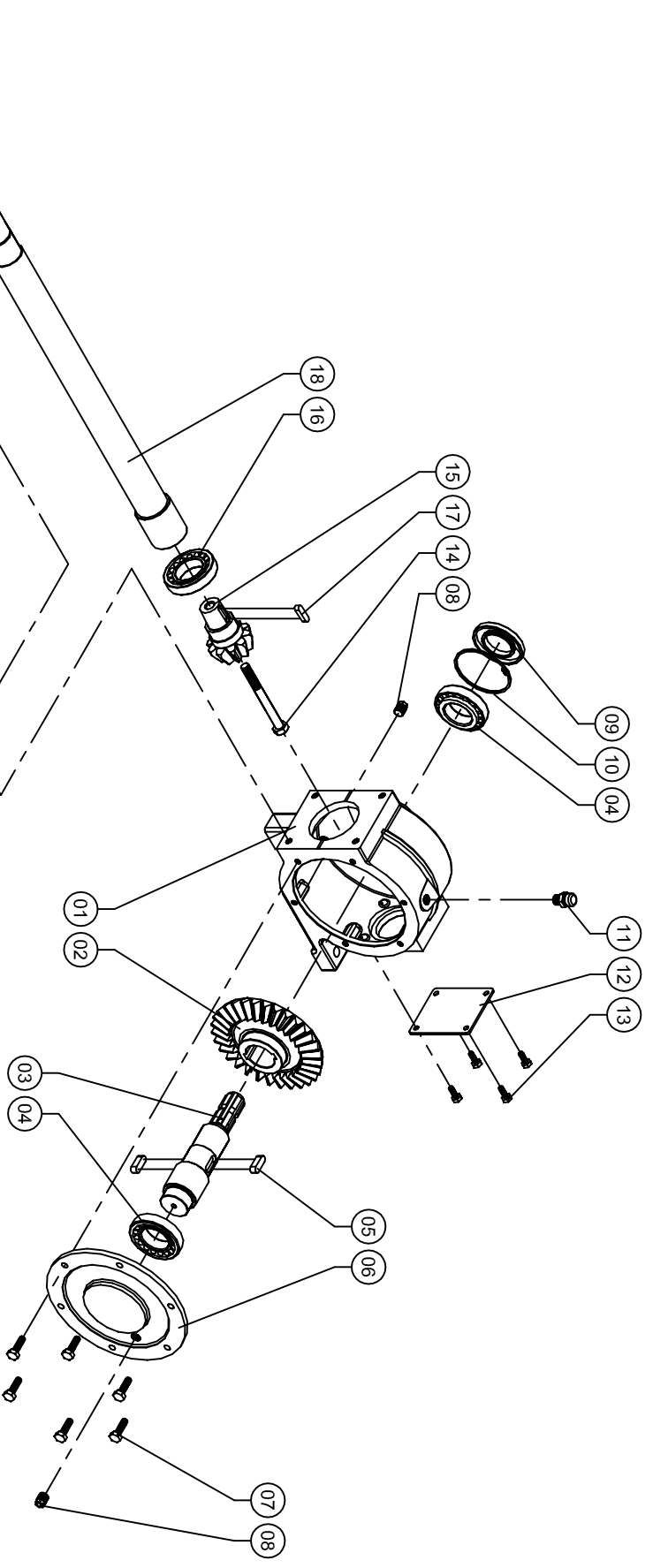
...

| Poz Numarası Pos.number | Adet Amount | Sipariş Numarası Order Number | Açıklama Explanation | Standart Norm | Eski Kodu |
|-------------------------------|----------------|----------------------------------|---------------------------------|------------------|-----------------|
| 01 | 1 | 122.0301201.130.001.0100 | GEARBOX HOUSING | | TDSP200M-1.3.1 |
| 02 | 1 | 122.0301201.130.001.0305 | BEVEL GEAR-Z = 30 | | TDSP200M-1.3.2 |
| 03 | 1 | 122.0301201.130.001.0500 | SHAFT | | TDSP200M-1.3.3 |
| 04 | 2 | 93053.0000000.043 | BEARING-RUL 30210 | | |
| 05 | 2 | 93110.0000000.011 | COTTER-12x8x35 A DIN6885 | DIN6885 | |
| 06 | 1 | 122.0301201.130.001.0600 | GEARBOX COVER | | TDSP200M-1.3.6 |
| 07 | 6 | 93011.0000000.003 | BOLT- AKB M10x1,5x25 8.8 | | |
| 08 | 2 | 93152.0000000.008 | PLUG- M20x1,5 | | |
| 09 | 2 | 93021.0000000.019 | FELT OIL-50x90x10 | | |
| 10 | 1 | 93172.0000000.014 | CIRCLIP-DELIK DIN472 Ø90x3 CK75 | DIN472 | |
| 11 | 1 | 93152.0000000.012 | PLUG- M20X1,5 | | |
| 12 | 1 | 122.0301201.130.001.0700 | GEARBOX CONNECTION SHEET | | TDSP200M-1.3.12 |

YEDEK PARÇA LİSTESİ / SPARE PARTS LİST
GEARBOX GROUP / TDSP135H-1.3

...

| Poz Numarası Pos.number | Adet Amount | Sipariş Numarası Order Number | Açıklama Explanation | Standart Norm | Eski Kodu |
|-------------------------------|----------------|----------------------------------|-------------------------------|------------------|-------------------|
| 13 | 4 | 93011.0000000.047 | BOLT-CIV AKB M8x1,25x20 8.8 | | |
| 14 | 1 | 93011.0000000.023 | BOLT-CIV AKB M14x2x150x40 8.8 | | |
| 15 | 1 | 122.0301201.130.001.0406 | BEVEL PINION- Z = 10 | | TDSP200M-1.3.15 |
| 16 | 2 | 93053.0000000.043 | BEAING-RUL 30210 | | |
| 17 | 1 | 93110.0000000.007 | COTTER-10x8x35 A DIN6885 | DIN6885 | DIN 6885 A10x8x35 |
| 18 | 1 | 122.0301501.130.001.0100 | SPINDLE | | TDSP135H-1.3.18 |
| 19 | 4 | 93011.0000000.013 | BOLT-CIV AKB M12x1,5x30 8.8 | | |
| 20 | 1 | 122.0301501.130.001.0200 | GEARBOX BODY PIPE | | TDSP135H-1.3.24 |
| 21 | 1 | 93171.0000000.018 | CIRCLIP-MIL DIN471 Ø50x3 CK75 | DIN471 | |



| Sıra No | Grup Adı | Montaj Adı | Alt Montaj Adı |
|--------------|----------------|------------|----------------|
| TDSP185H-1.3 | ŞANZİMAN GRUBU | | |

YEDEK PARÇA LİSTESİ / SPARE PARTS LİST
GEARBOX GROUP / TDSP185H-1.3

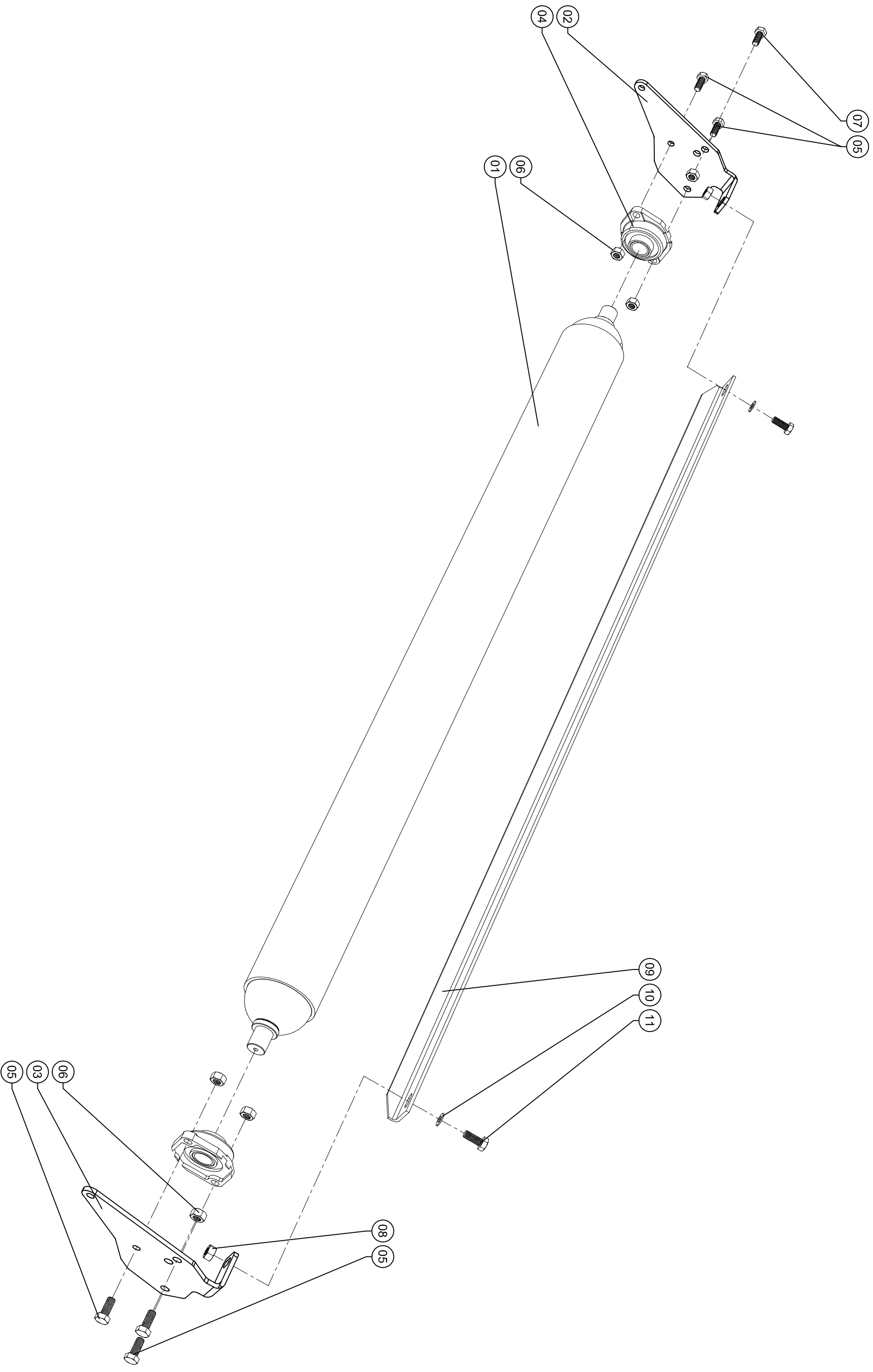
...

| Poz Numarası Pos.number | Adet Amount | Sipariş Numarası Order Number | Açıklama Explanation | Standart Norm | Eski Kodu |
|-------------------------------|----------------|----------------------------------|---------------------------------|------------------|-----------------|
| 1 | 1 | 122.0301201.130.001.0100 | GEARBOX HOUSING | | TDSP200M-1.3.1 |
| 02 | 1 | 122.0301201.130.001.0305 | BEVEL GEAR Z = 30 | | TDSP200M-1.3.2 |
| 03 | 1 | 122.0301201.130.001.0500 | SHAFT | | TDSP200M-1.3.3 |
| 04 | 2 | 93053.0000000.043 | BEARING-RUL 30210 | | |
| 05 | 2 | 93110.0000000.011 | COTTER -12x8x35 A DIN6885 | DIN6885 | |
| 06 | 1 | 122.0301201.130.001.0600 | GEARBOX COVER | | TDSP200M-1.3.6 |
| 07 | 6 | 93011.0000000.003 | BOLT-CIV AKB M10x1,5x25 8.8 | | |
| 08 | 2 | 93152.0000000.008 | PLUG-M20x1,5 | | |
| 09 | 2 | 93021.0000000.019 | FELT OIL- 50x90x10 | | |
| 10 | 1 | 93172.0000000.014 | CIRCLIP-DELİK DIN472 Ø90x3 CK75 | DIN472 | |
| 11 | 1 | 93152.0000000.012 | PLUG-M20X1,5 | | |
| 12 | 1 | 122.0301201.130.001.0700 | GEARBOX BODY SHEET | | TDSP200M-1.3.12 |

YEDEK PARÇA LİSTESİ / SPARE PARTS LIST
GEARBOX GROUP / TDSP185H-1.3

...

| Poz Numarası Pos.number | Adet Amount | Sipariş Numarası Order Number | Açıklama Explanation | Standart Norm | Eski Kodu |
|-------------------------------|----------------|----------------------------------|-------------------------------|------------------|-------------------|
| 13 | 4 | 93011.0000000.047 | BOLT-CIV AKB M8x1,25x20 8.8 | | |
| 14 | 1 | 93011.0000000.023 | BOLT-CIV AKB M14x2x150x40 8.8 | | |
| 15 | 1 | 122.0301201.130.001.0406 | BEVEL PINION Z = 10 | | TDSP200M-1.3.15 |
| 16 | 2 | 93053.0000000.043 | BEARING-RUL 30210 | | |
| 17 | 1 | 93110.0000000.007 | COTTER-10x8x35 A DIN6885 | DIN6885 | DIN 6885 A10x8x35 |
| 18 | 1 | 122.0301301.130.001.0200 | SPINDLE | | TDSP185H-1.3.18 |
| 19 | 4 | 93011.0000000.013 | BOLT-CIV AKB M12x1,5x30 8.8 | | |
| 20 | 1 | 122.0301301.130.001.0100 | GEARBOX BODY PIPE | | TDSP185H-1.3.24 |
| 21 | 1 | 93171.0000000.018 | CIRCLIP-MIL DIN471 Ø50x3 CK75 | DIN471 | |



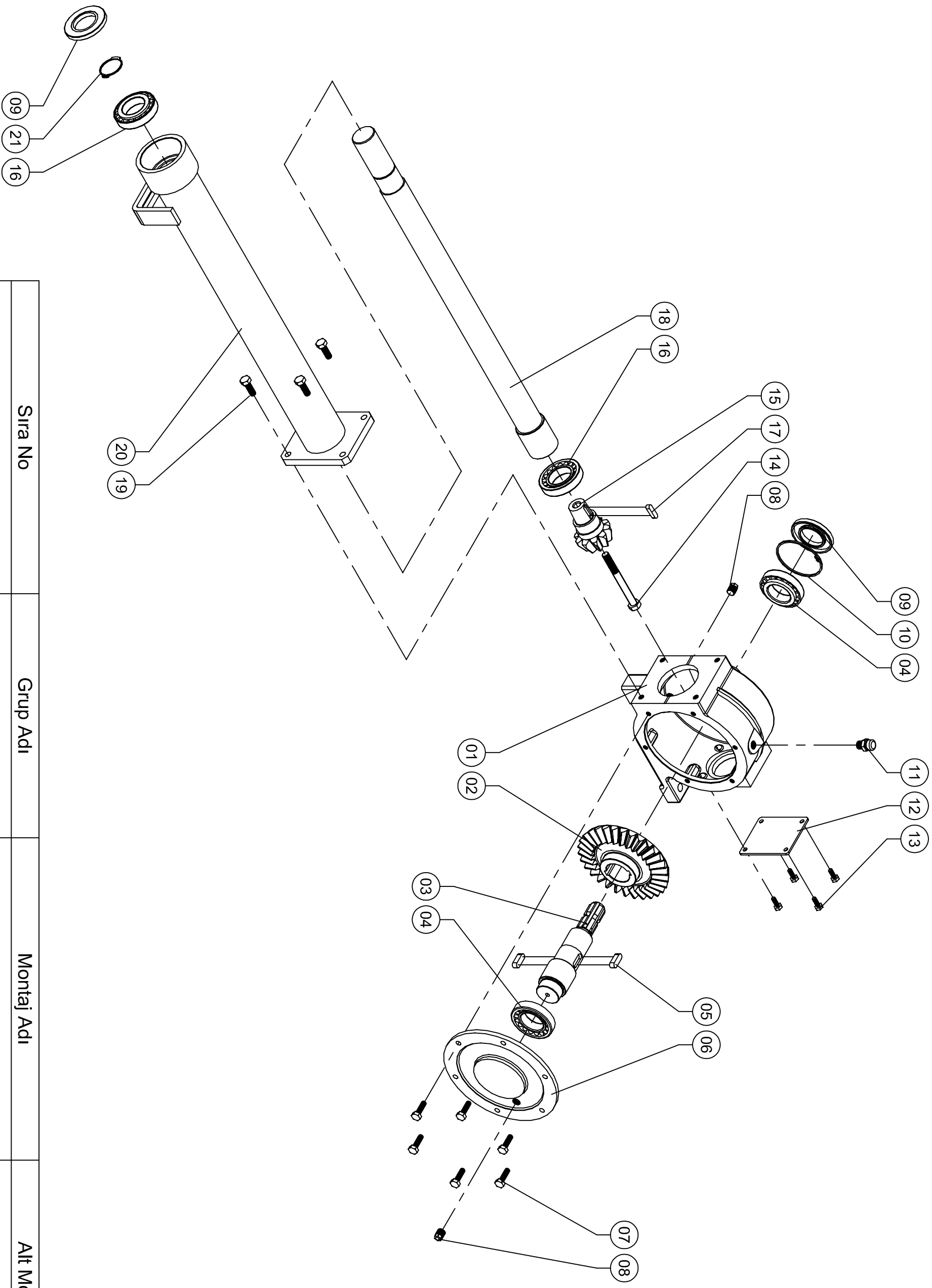
| Sıra No | Grup Adı | Montaj Adı | Alt Montaj Adı |
|--------------|--------------------|------------|----------------|
| TDSP185H-1.8 | Arka Merdane Grubu | ... | ... |

YEDEK PARÇA LİSTESİ / SPARE PARTS LİST**BACK ROLLER GROUP / ...****TDSP120S-1.8/TDSP135HS-1.8/TDSP150HS-1.8/TDSP160HS-1.8/TDSP185HS-1.8/TDSP210HS-1.8/TDSP240HS-1.8/TDSP300HS-1.8**

| Poz Numarası Pos.number | Adet Amount | Sipariş Numarası Order Number | Açıklama Explanation | Standart Norm | Eski Kodu |
|-------------------------------|----------------|--|--|------------------|--|
| 01 | 1 | 10301601.040.010000000 10301501.040.010000000 10301001.020.010000000 10301101.020.010000000 10301201.040.010000000 10301301.020.010000000 10301401.020.010000000 | BACK ROLLER BODY (120) BACK ROLLER BODY (135) BACK ROLLER BODY (150) BACK ROLLER BODY (160) BACK ROLLER BODY (185) BACK ROLLER BODY (210) BACK ROLLER BODY (240) | | TDSP120S-1.5.1 TDSP135S-1.5.1 TDSP150S-1.5.1 TDSP160H-1.5.1 TDSP185H-1.5.1 TDSP210H-1.5.1 TDSP240H-1.5.1 |
| 02 | 1 | 92150.0301201.031 | RIGHT BACK ROLLER CONNECTION SHEET | | TDSP185H-1.11 |
| 03 | 1 | 92150.0301201.030 | LEFT BACK ROLLER CONNECTION SHEET | | TDSP185H-1.10 |
| 04 | 2 | 93077.0000000.007 | BEARING (RUL UCFL207 | | RULMAN UCFL207 |
| 05 | 4 | 93021.0000000.076 | BOLT (CIV AKB M14X2X40 8.8) | | CİVATA AKB M14x2x40 8.8 |
| 06 | 6 | 93082.0000000.005 | NUT (SOM FIB M14IX2) | | SOMUN FİBERLİ M14x2 |
| 07 | 2 | 93021.0000000.075 | BOLT (SOM FIB M14X2X35 8.8) | | CİVATA AKB M14x2x35 8.8 |
| 08 | 2 | 93082.0000000.003 | NUT (SOM FIB M12X1,75) | | SOMUN FİBERLİ M12x1,75 |

YEDEK PARÇA LİSTESİ / SPARE PARTS LİST**BACK ROLLER GROUP / ...****TDSP120S-1.8/TDSP135HS-1.8/TDSP150HS-1.8/TDSP160HS-1.8/TDSP185HS-1.8/TDSP210HS-1.8/TDSP240HS-1.8/TDSP300HS-1.8**

| Poz Numarası Pos.number | Adet Amount | Sipariş Numarası Order Number | Açıklama Explanation | Standart Norm | Eski Kodu |
|-------------------------------|----------------|---|--|------------------|---|
| 09 | 1 | 92150.0301601.005 92150.0301501.005 92150.0301001.005 92150.0301101.005 92150.0301201.032 92150.0301301.005 92150.0301401.001 | BACK ROLLER SCRAPPER (120) BACK ROLLER SCRAPPER (135) BACK ROLLER SCRAPPER (150) BACK ROLLER SCRAPPER (160) BACK ROLLER SCRAPPER (185) BACK ROLLER SCRAPPER (210) BACK ROLLER SCRAPPER (240) | | TDSP120S-1.12 TDSP135S-1.12 TDSP150S-1.12 TDSP160H-1.12 TDSP185H-1.12 TDSP210H-1.12 TDSP240H-1.12 |
| 10 | 2 | 93062.0000000.005 | WASHER (RON DUZ M12) | | RONDELÂ DÛZ M12 |
| 11 | 2 | 93021.0000000.043 | BOLT (CIV AKB M12X1,75X35 8.8) | | CİVATA AKB M12x1,75x35 8.8 |



| Sıra No | Grup Adı | Montaj Adı | Alt Montaj Adı |
|--------------|----------------|------------|----------------|
| TDSP240H-1.3 | ŞANZİMAN GRUBU | | |

YEDEK PARÇA LİSTESİ / SPARE PARTS LİST
GEARBOX GROUP / TDSP240H-1.3

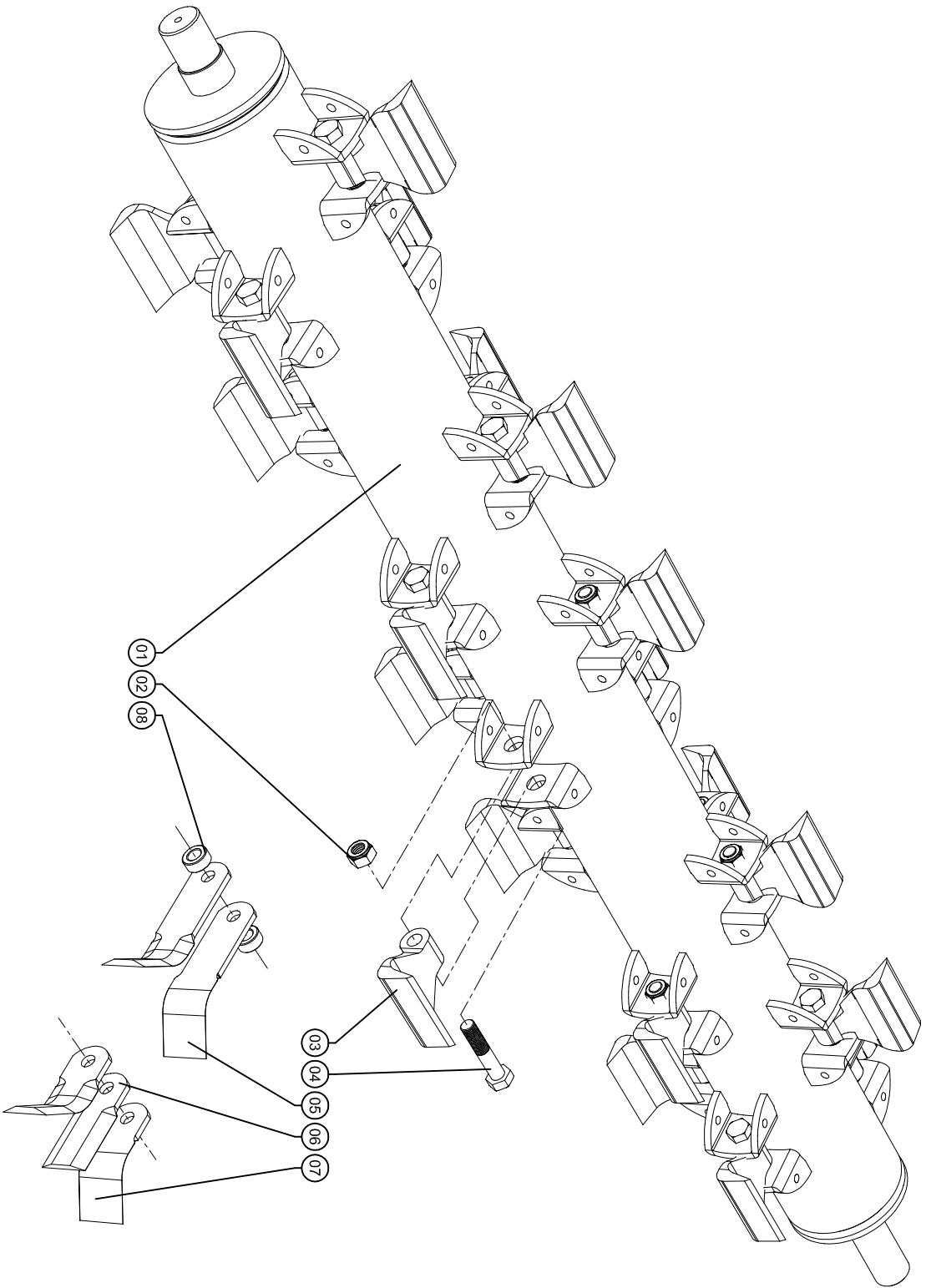
...

| Poz Numarası Pos.number | Adet Amount | Sipariş Numarası Order Number | Açıklama Explanation | Standart Norm | Eski Kodu |
|-------------------------------|----------------|----------------------------------|---------------------------------|------------------|-----------------|
| 1 | 1 | 122.0301201.130.001.0100 | GEARBOX HOUSING | | TDSP200M-1.3.1 |
| 02 | 1 | 122.0301201.130.001.0305 | BEVEL GEAR- Z = 30 | | TDSP200M-1.3.2 |
| 03 | 1 | 122.0301201.130.001.0500 | SHAFT | | TDSP200M-1.3.3 |
| 04 | 2 | 93053.0000000.043 | BEARING-RUL 30210 | | |
| 05 | 2 | 93110.0000000.011 | COTTER-12x8x35 A DIN6885 | DIN6885 | |
| 06 | 1 | 122.0301201.130.001.0600 | GEARBOX COVER | | TDSP200M-1.3.6 |
| 07 | 6 | 93011.0000000.003 | BOLT-CIV AKB M10x1,5x25 8.8 | | |
| 08 | 2 | 93152.0000000.008 | PLUG-M20x1,5 | | |
| 09 | 2 | 93021.0000000.019 | FELT OIL- 50x90x10 | | |
| 10 | 1 | 93172.0000000.014 | CIRCLIP-DELİK DIN472 Ø90x3 CK75 | DIN472 | |
| 11 | 1 | 93152.0000000.012 | PLUG- M20X1,5 | | |
| 12 | 1 | 122.0301201.130.001.0700 | GEARBOX BODY PIPE | | TDSP200M-1.3.12 |

YEDEK PARÇA LİSTESİ / SPARE PARTS LIST
GEARBOX GROUP / TDSP240H-1.3

...

| Poz Numarası Pos.number | Adet Amount | Sipariş Numarası Order Number | Açıklama Explanation | Standart Norm | Eski Kodu |
|-------------------------------|----------------|----------------------------------|-------------------------------|------------------|-------------------|
| 13 | 4 | 93011.0000000.047 | BOLT-CIV AKB M8x1,25x20 8.8 | | |
| 14 | 1 | 93011.0000000.023 | BOLT-CIV AKB M14x2x150x40 8.8 | | |
| 15 | 1 | 122.0301201.130.001.0406 | BEVEL PINION Z = 10 | | TDSP200M-1.3.15 |
| 16 | 2 | 93053.0000000.043 | BEARING-RUL 30210 | | |
| 17 | 1 | 93110.0000000.007 | COTTER-10x8x35 A DIN6885 | DIN6885 | DIN 6885 A10x8x35 |
| 18 | 1 | 122.0301401.130.001.0100 | SPINDLE | | TDSP240H-1.3.18 |
| 19 | 4 | 93011.0000000.013 | BOLT-CIV AKB M12x1,5x30 8.8 | | |
| 20 | 1 | 122.0301401.130.001.0200 | GEARBOX BODY PIPE | | TDSP240H-1.3.24 |
| 21 | 1 | 93171.0000000.018 | CIRCLİP-MİL DIN471 Ø50x3 CK75 | DIN471 | |



| | | | |
|--------------|--------------------|------------|----------------|
| Sıra No | Grup Adı | Montaj Adı | Alt Montaj Adı |
| TDSP185H-1.4 | Orta Merdane Grubu | ... | ... |

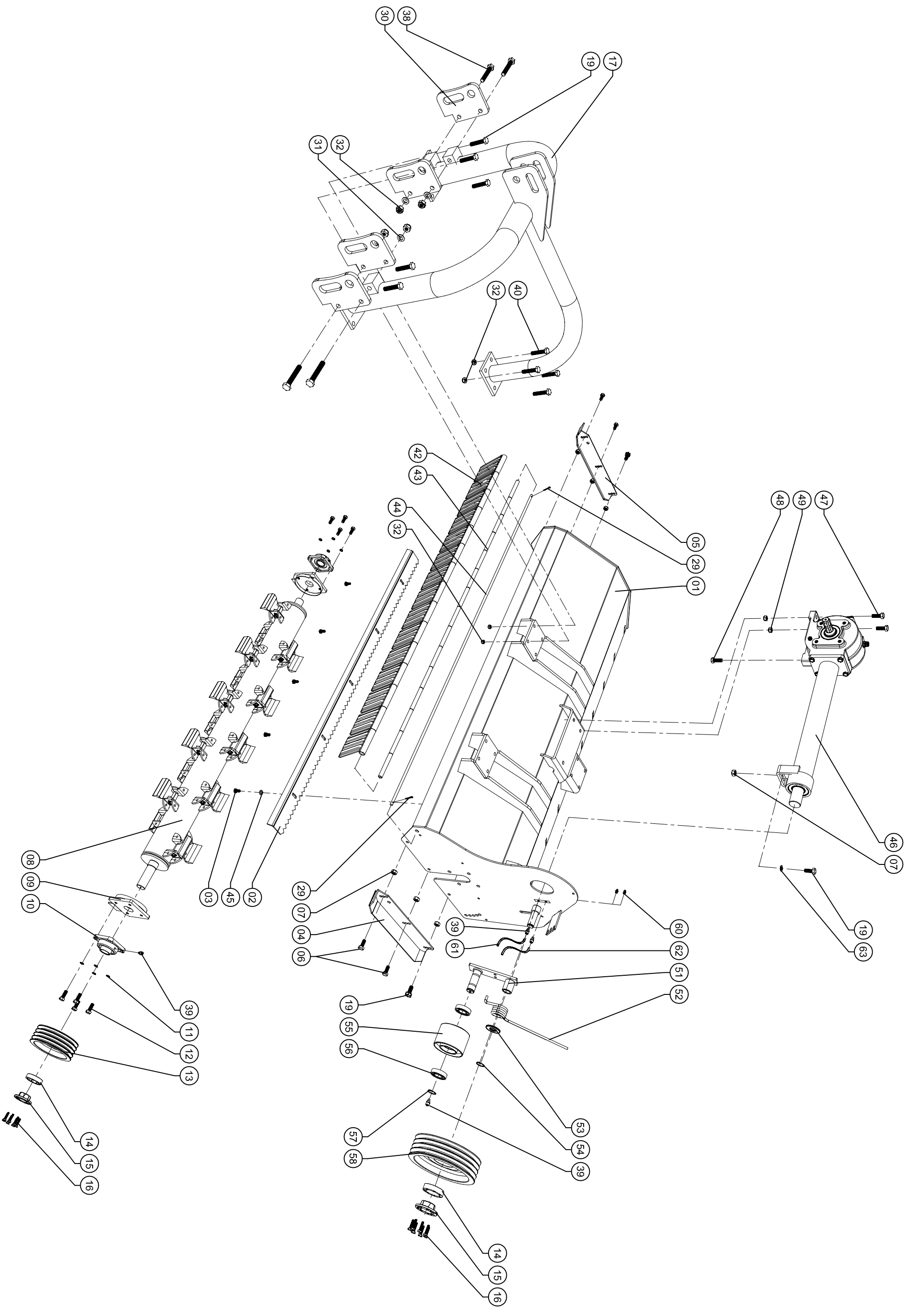
YEDEK PARÇA LİSTESİ / SPARE PARTS LIST**MIDDLE ROLLER GROUP / ...****TDSP120S-1.4/TDSP135HS-1.4/TDSP150HS-1.4/TDSP160HS-1.4/TDSP185HS-1.4/TDSP210HS-1.4/TDSP240HS-1.4/TDSP300HS-1.4**

| Poz Numarası Pos.number | Adet Amount | Sipariş Numarası Order Number | Açıklama Explanation | Standart Norm | Eski Kodu |
|-------------------------------|--|--|---|------------------|--|
| 01 | 1 | 10301601.010.040010000 10301501.010.040010000 10301001.010.020010000 10301101.010.020010000 10301201.010.040010000 10301301.010.020010000 10301401.010.020010000 | BLADE ROLLER (120) BLADE ROLLER (135) BLADE ROLLER (150) BLADE ROLLER (160) BLADE ROLLER (185) BLADE ROLLER (210) BLADE ROLLER (240) | | TDSP120S-1.4.1 TDSP135S-1.4.1 TDSP150S-1.4.1 TDSP160H-1.4.1 TDSP185H-1.4.1 TDSP210H-1.4.1 TDSP240H-1.4.1 |
| 02 | 10 12 14 16 20 24 26 | 93082.0000000.009 | NUT (SOM FIB M18x2,5) (120) NUT (SOM FIB M18x2,5) (135) NUT (SOM FIB M18x2,5) (150) NUT (SOM FIB M18x2,5) (160) NUT(SOM FIB M18x2,5) (185) NUT(SOM FIB M18x2,5) (210) NUT (SOM FIB M18x2,5)(240) | | SOMUN FİBERLİ M18x2,5 |
| 03 | 10 12 14 16 20 24 26 | 92080.0301201.001 | HAMMER BLADE (120) HAMMER BLADE (135) HAMMER BLADE (150) HAMMER BLADE (160) HAMMER BLADE (185) HAMMER BLADE (210) HAMMER BLADE (240) | | TDSP185H-1.4.02 (EGR618110-M&G) |
| 04 | 10 12 14 16 20 24 26 | 93021.0000000.325 | BOLT (CIV AKB M18x2,5x110x45 8.8) (120) BOLT (CIV AKB M18x2,5x110x45 8.8) (135) BOLT (CIV AKB M18x2,5x110x45 8.8) (150) BOLT (CIV AKB M18x2,5x110x45 8.8) (160) BOLT (CIV AKB M18x2,5x110x45 8.8) (185) BOLT (CIV AKB M18x2,5x110x45 8.8) (210) BOLT (CIV AKB M18x2,5x110x45 8.8) (240) | | CİVATA AKB M18x2,5x110x45 8.8 |
| 05 | | 92080.0301204.002 | L BLADE (Y TYPE) LONG) | | TDSP200M-1.4.5 (OPSİYONEL) |

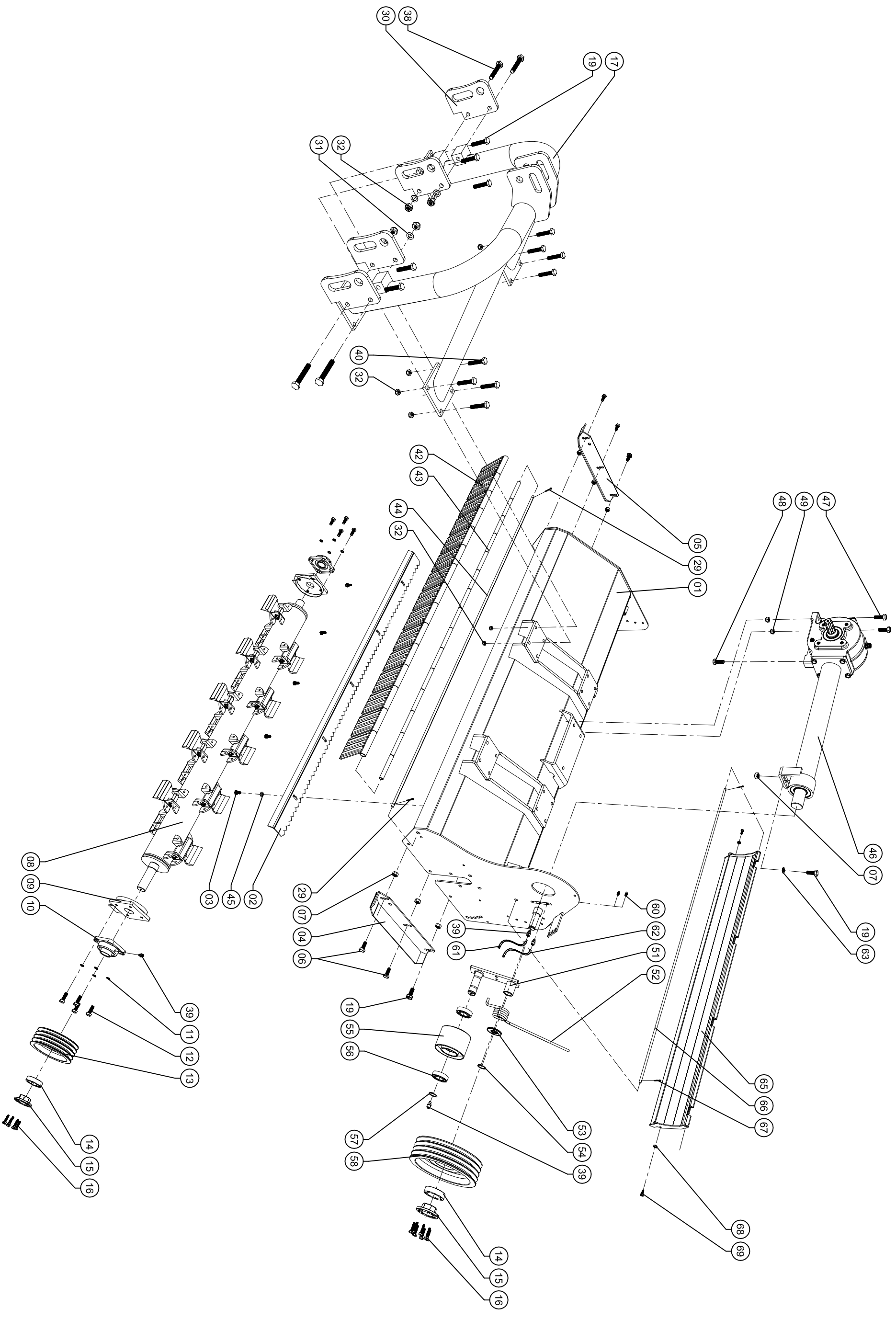
YEDEK PARÇA LİSTESİ / SPARE PARTS LIST**MIDDLE ROLLER GROUP / ...****TDSP120S-1.4/TDSP135HS-1.4/TDSP150HS-1.4/TDSP160HS-1.4/TDSP185HS-1.4/TDSP210HS-1.4/TDSP240HS-1.4/TDSP300HS-1.4**

| Poz Numarası Pos.number | Adet Amount | Sipariş Numarası Order Number | Açıklama Explanation | Standart Norm | Eski Kodu |
|-------------------------------|----------------|----------------------------------|-------------------------|------------------|-----------|
|-------------------------------|----------------|----------------------------------|-------------------------|------------------|-----------|

| | | | | | |
|----|----------------|-------------------|--|--|----------------------------|
| 06 | 16 26 | 92080.0301204.003 | I BLADE (Y TYPE) (160) I BLADE (Y TYPE) (240) | | TDSP200M-1.4.7 (OPSİYONEL) |
| 07 | 32 40 52 | 92080.0301204.001 | L BLADE (Y TYPE) SHORT (160) L BLADE (Y TYPE) SHORT (185) L BLADE (Y TYPE) SHORT (240) | | TDSP200M-1.4.6 (OPSİYONEL) |
| 08 | 32 40 52 | 92160.0301201.002 | ROLLER BLADE PIN BUSHING (160) ROLLER BLADE PIN BUSHING (185) ROLLER BLADE PIN BUSHING (240) | | TDSP200M-1.4.4 (OPSİYONEL) |



| Sıra No | Grup Adı | Montaj Adı | Alt Montaj Adı |
|--------------|--------------------------|------------|----------------|
| TDSP185S-1.1 | Ana Gövde Bağlantı Grubu | ... | ... |



| Sıra No | Grup Adı | Montaj Adı | Alt Montaj Adı |
|---------------|--------------------------|------------|----------------|
| TDSP185SK-1.1 | Ana Gövde Bağlantı Grubu | ... | ... |

YEDEK PARÇA LİSTESİ / SPARE PARTS LİST**MAIN BODY CONNECTION GROUP / ...****TDSP120S-1.1/TDSP135HS-1.1/TDSP150HS-1.1/TDSP160HS-1.1/ TDSP160SK-1.1 /TDSP185HS-1.1/TDSP210HS-1.1/ TDSP210SK-1.1****TDSP240HS-1.1/ TDSP240SK-1.1/ TDSP260SK-1.1//TDSP300HS-1.1**

| Poz Numarası Pos.number | Adet Amount | Sipariş Numarası Order Number | Açıklama Explanation | Standart Norm | Eski Kodu |
|----------------------------|----------------|--|--|------------------|--|
| 01 | 1 | 10301601.010.010000000 10301502.010.010000000 10301501.010.010000000 10301001.010.010000000 10301101.010.010000000 10301102.010.010000000 10301201.010.010000000 10301202.010.010000000 10301204.010.010000000 10301205.010.010000000 10301301.010.010000000 10301302.010.010000000 10301321.010.010000000 10301401.010.010000000 10301402.010.010000000 10301403.010.010000000 10301701.010.010000000 10301421.010.010000000 10301113.010.010000000 10301423.010.010000000 | MAIN BODY FRAME (120S) MAIN BODY FRAME (135H) MAIN BODY FRAME (135S) MAIN BODY FRAME (150S) MAIN BODY FRAME (160H) MAIN BODY FRAME (160S) MAIN BODY FRAME (185H) MAIN BODY FRAME (185S) MAIN BODY FRAME (185S , PROF. BAG.) MAIN BODY FRAME (185H PROF. BAG.) MAIN BODY FRAME (210H) MAIN BODY FRAME (210S) MAIN BODY FRAME (210H PROF. BAĞ.) MAIN BODY FRAME (240H) MAIN BODY FRAME (240S) MAIN BODY FRAME (240H PROF. BAG.) MAIN BODY FRAME (260SK) MAIN BODY FRAME (240SK) MAIN BODY FRAME (160SKT) MAIN BODY FRAME (240SKT) | | TDSP120S-1.2.1 TDSP135H-1.2.1 TDSP135S-1.2.1 TDSP150S-1.2.1 TDSP160H-1.2.1 TDSP160S-1.2.1 TDSP185H-1.2.1 TDSP185S-1.2.1 TDSP185S-1.2.1 PROFİL BAĞLANTILI TDSP185H-1.2.1 PROFİL BAĞLANTILI TDSP210H-1.2.1 TDSP210S-1.2.1 TDSP210H-1.2.1 PROFİL BAĞLANTILI TDSP240H-1.2.1 TDSP240S-1.2.1 TDSP240H-1.2.1 PROFİL BAĞLANTILI TDSP260SK-1.2.1 SABİT KAPAKLI TDSP240SK-1.2.1 SABİT KAPAKLI TDSP160SKT-1.2.1 SABİT KAPAKLI TEKER TDSP240SKT-1.2.1 SABİT KAPAKLI TEKER |
| 02 | 1 | 92150.0301601.006 92150.0301501.006 92150.0301001.006 92150.0301101.006 92150.0301201.012 92150.0301301.006 92150.0301401.006 92150.0301701.006 | ROLLER HARROW SHEET (120) ROLLER HARROW SHEET (135) ROLLER HARROW SHEET (150) ROLLER HARROW SHEET (160) ROLLER HARROW SHEET (185) ROLLER HARROW SHEET (210) ROLLER HARROW SHEET (240) ROLLER HARROW SHEET (260) | | TDSP120S-1.2.02 TDSP135S-1.2.02 TDSP150S-1.2.02 TDSP160H-1.2.02 TDSP185H-1.2.02 TDSP210H-1.2.02 TDSP240H-1.2.02 TDSP260H-1.2.02 |

YEDEK PARÇA LİSTESİ / SPARE PARTS LIST**MAIN BODY CONNECTION GROUP / ...****TDSP120S-1.1/TDSP135HS-1.1/TDSP150HS-1.1/TDSP160HS-1.1/ TDSP160SK-1.1 /TDSP185HS-1.1/TDSP210HS-1.1/ TDSP210SK-1.1****TDSP240HS-1.1/ TDSP240SK-1.1/ TDSP260SK-1.1//TDSP300HS-1.1**

| Poz Numarası Pos.number | Adet Amount | Sipariş Numarası Order Number | Açıklama Explanation | Standart Norm | Eski Kodu |
|----------------------------|-----------------------|--|--|------------------|--|
| 03 | 3 4 5 7 8 | 93021.0000000.009 | BOLT (CIV AKB-M10X1,5X25 8.8 (120) BOLT (CIV AKB-M10X1,5X25 8.8 (120) BOLT (CIV AKB-M10X1,5X25 8.8 (135/150) BOLT (CIV-AKB-M10X1,5X25 8.8 (160/185/210) BOLT (CIV-AKB-M10X1,5X25 8.8 (240) BOLT (CIV AKB-M10X1,5X25 8.8 (300) | | CİVATA AKB M10x1,5x25 8.8 |
| 04 | 1 | 10301201.010.020000000 | LEFT SKID | | TDSP185H-1.8 |
| 05 | 1 | 10301201.010.030000000 | RIGHT SKID | | TDSP185H-1.7 |
| 06 | 4 | 93021.0000000.040 | BOLT (CIV AKB-M12X1,75X25 8.8) | | CİVATA AKB M12x1,75x25 8.8 |
| 07 | 7 | 93082.0000000.003 | NUT (SOM FIB-M12X1,75) | | SOMUN FİBERLİ M12x1,75 |
| 08 | 1 | 10301601.010.040000000 10301501.010.040000000 10301001.010.020000000 10301101.010.020000000 10301201.010.040000000 10301301.010.020000000 10301401.010.020000000 10301701.010.030000000 | ROLLER COMPLETE (120) ROLLER COMPLETE (135) ROLLER COMPLETE (150) ROLLER COMPLETE (160) ROLLER COMPLETE (185) ROLLER COMPLETE (210) ROLLER COMPLETE (240) ROLLER COMPLETE (260) | | TDSP120S-1.4 TDSP135S-1.4 TDSP150S-1.4 TDSP160H-1.4 TDSP185H-1.4 TDSP210H-1.4 TDSP240H-1.4 TDSP260H-1.4 |
| 09 | 2 | 10301201.010.050000000 | ROLLER BEARING SHEET | | TDSP185H-1.21 |

YEDEK PARÇA LİSTESİ / SPARE PARTS LİST**MAIN BODY CONNECTION GROUP / ...****TDSP120S-1.1/TDSP135HS-1.1/TDSP150HS-1.1/TDSP160HS-1.1/ TDSP160SK-1.1 /TDSP185HS-1.1/TDSP210HS-1.1/ TDSP210SK-1.1****TDSP240HS-1.1/ TDSP240SK-1.1/ TDSP260SK-1.1//TDSP300HS-1.1**

| Poz Numarası Pos.number | Adet Amount | Sipariş Numarası Order Number | Açıklama Explanation | Standart Norm | Eski Kodu |
|-------------------------------|----------------|--|--|------------------|---|
| 10 | 2 | 93077.0000000.004 | BEARING (RUL-UCF210) | | RULMAN UCF210 |
| 11 | 8 | 93064.0000000.004 | SPRING WASHER(M16) | | RONDELÂ YAYLI M16 |
| 12 | 8 | 93021.0000000.097 | BOLT (CIV AKB-M16X2X40 8.8 | | CİVATA AKB M16x2x40 8.8 |
| 13 | 1 | 92020.0301201.001 | SMALL PULLEY | | TDSP185H-1.14 |
| 14 | 2 | 92160.0301201.011 | CONICAL COUPLING HOUSING | | TDSP185H-1.3.21 |
| 15 | 2 | 92160.0301201.012 | CONICAL COUPLING | | TDSP185H-1.3.20 |
| 16 | 14 | 93023.0000000.020 | BOLT (CIV İMB M8x1,25x30 8.8) | | CİVATA İMB M8x1,25x30 8.8 |
| 17 | 1 | 10301202.010.020000000 10301201.010.060000000 10301421.010.030000000 | THREE POINT HITCH-FIXED THREE POINT HITCH-HYDRAULIC -THREE POINT HITCH-FIXED COVER | | TDSP185S-1.1.1 TDSP185H-1.1.1 TDSP240SK-1.1.1 |
| 18 | 1 | 10301201.010.070000000 | CHROME SPINDLE BEDDING PIPE | | TDSP185H-1.1.2 |
| 19 | 11 | 93021.0000000.043 | BOLT(CIV AKB -M12X1,75X35 8.8) | | CİVATA AKB M12x1,75x35 8.8 |
| 20 | 1 | 92160.0204302.012 | SHORT PLUG BLINDE 1/4" | | THKR18508YT-1.1.11 |

YEDEK PARÇA LİSTESİ / SPARE PARTS LIST**MAIN BODY CONNECTION GROUP / ...****TDSP120S-1.1/TDSP135HS-1.1/TDSP150HS-1.1/TDSP160HS-1.1/ TDSP160SK-1.1 /TDSP185HS-1.1/TDSP210HS-1.1/ TDSP210SK-1.1****TDSP240HS-1.1/ TDSP240SK-1.1/ TDSP260SK-1.1//TDSP300HS-1.1**

| Poz Numarası Pos.number | Adet Amount | Sipariş Numarası Order Number | Açıklama Explanation | Standart Norm | Eski Kodu |
|----------------------------|----------------|--|--|------------------|----------------------------------|
| 21 | 1 | 92160.0301502.007 92160.0301201.007 | CHROME SPINDLE 1270MM (135) CHOROME SPINDLE 1377MM (150/160/185/210/240/300) | | TDSP135H-1.1.5 TDSP185H-1.1.5 |
| 22 | 4 | 93021.0000000.080 | BOLT(CIV AKB M14X2X60X35 8.8 | | CİVATA AKB M14x2x60x35 8.8 |
| 23 | 2 | 93041.0000000.036 | OIL FELT (55x65x7 PU) | | KEÇE YAĞ 55x65x7 PU |
| 24 | 2 | 93042.0000000.003 | DUST FELT (55x65x5/7 PU) | | KEÇE TOZ 55x65x5/7 PU |
| 25 | 2 | 10204302.010.122000000 | SPECIAL WIRE CIRCLIP | | THKR18508YT-1.1.20 |
| 26 | 2 | 92160.0204302.015 | PISTON MOVEMENT CONNECTION PART | | THKR18508YT-1.2.1.07.02 |
| 27 | 1 | 92110.0301502.001 92110.0204302.001 | PISTON (135) PISTON (150/160/185/210/240/300) | | TDSP135H THKR18508YT-1.1.25 |
| 28 | 1 | 92160.0204302.014 | PIN | | THKR18508YT-1.2.2 |
| 29 | 3 | 93120.0000000.009 | COTTER (5X50) | DIN94 | KOPİLYA 5x50 |
| 30 | 4 | 92150.0301201.022 | HITCH BOTTOM ARM CONNECTION SHEET | | TDSP185H-1.1.3 |
| 31 | 4 | 93062.0000000.006 | WASHER-(RON DUZ M14) | | RONDELÂ DÜZ M14 |

YEDEK PARÇA LİSTESİ / SPARE PARTS LIST**MAIN BODY CONNECTION GROUP / ...****TDSP120S-1.1/TDSP135HS-1.1/TDSP150HS-1.1/TDSP160HS-1.1/ TDSP160SK-1.1 /TDSP185HS-1.1/TDSP210HS-1.1/ TDSP210SK-1.1****TDSP240HS-1.1/ TDSP240SK-1.1/ TDSP260SK-1.1//TDSP300HS-1.1**

| Poz Numarası Pos.number | Adet Amount | Sipariş Numarası Order Number | Açıklama Explanation | Standart Norm | Eski Kodu |
|-------------------------------|----------------|----------------------------------|-------------------------|------------------|-----------|
|-------------------------------|----------------|----------------------------------|-------------------------|------------------|-----------|

| | | | | | |
|----|--------------|------------------------|---|--|-------------------------------|
| 32 | 16 6 | 93082.0000000.005 | NUT (SOM FIB M14X2) (FIXED TYPE) NUT(SOM FIB M14X2) (HYDRAULIC TYPE) | | SOMUN FİBERLİ M14x2 |
| 33 | 2 | 92070.0204302.003 | 1.CONNECTION PLASTIC- 1/4" | | THKR18508YT-1.1.8 |
| 34 | 2 | 93310.0000000.002 | COUPLING REDHEAD-1/4" | | THKR18508YT-1.1.7 |
| 35 | 1 | 93140.0000000.001 | TRANSPARENT HOSE- 5x8x200mm | | HORTUM ŞEFFAF 5x8MM POLÜRETAN |
| 36 | 2 | 92070.0204302.003 | 2.CONNECTION PLASTIC- 1/4" | | THKR18508YT-1.1.9 |
| 37 | 2 | 10301201.010.140000000 | HOUSING DERLIN | | TDSP185H-1.1.37 |
| 38 | 4 | 93021.0000000.065 | BOLT-(CIV AKB M14X2X100X35 8.8) | | CİVATA AKB M14x2x100x35 8.8 |
| 39 | 4 | 93310.0000000.005 | ELBOW-1/8"-4 | | DİRSEK 1/8"-4 |
| 40 | 4 | 93021.0000000.076 | BOLT (CIV AKB M14X2X40 8.8) | | CİVATA AKB M14x2x40 8.8 |
| 41 | 1 | 10102103.422.000000000 | LEG OIL FILLING PLUG- 5/8" | | TSCM3T2HB-1.4.15.16 |
| 42 | 7 9 12 | 10301201.010.080000000 | SWINGING (120) SWINGING (135) SWINGING (150/160) | | TDSP185H-1.2.7 |

YEDEK PARÇA LİSTESİ / SPARE PARTS LİST**MAIN BODY CONNECTION GROUP / ...****TDSP120S-1.1/TDSP135HS-1.1/TDSP150HS-1.1/TDSP160HS-1.1/ TDSP160SK-1.1 /TDSP185HS-1.1/TDSP210HS-1.1/ TDSP210SK-1.1****TDSP240HS-1.1/ TDSP240SK-1.1/ TDSP260SK-1.1//TDSP300HS-1.1**

| Poz Numarası Pos.number | Adet Amount | Sipariş Numarası Order Number | Açıklama Explanation | Standart Norm | Eski Kodu |
|----------------------------|--------------------------------------|--|--|------------------|--|
| | 15 16 18 20 | | SWINGING (185) SWINGING (210) SWINGING (240) SWINGING (260) | | |
| 43 | 7 9 12 15 16 18 20 | 10301201.010.150000000 | PLASTIC PIPE (120) PLASTIC PIPE(135) PLASTIC PIPE (150/160) PLASTIC PIPE (185) PLASTIC PIPE (210) PLASTIC PIPE (240) PLASTIC PIPE (260) | | TDSP185H-1.2.04 |
| 44 | 1 | 10301601.010.030000000 10301501.010.030000000 10301001.010.030000000 10301101.010.030000000 10301201.010.130000000 10301301.010.030000000 10301401.010.030000000 10301701.010.040000000 | SWINGING SPINDLE (120) SWINGING SPINDLE (135) SWINGING SPINDLE (150) SWINGING SPINDLE (160) SWINGING SPINDLE (185) SWINGING SPINDLE (210) SWINGING SPINDLE (240) SWINGING SPINDLE (260) | | TDSP120S-1.2.5 TDSP135S-1.2.5 TDSP150S-1.2.5 TDSP160H-1.2.5 TDSP185H-1.2.8 TDSP210H-1.2.5 TDSP240H-1.2.5 TDSP260H-1.2.5 |
| 45 | 3 4 5 7 8 | 93062.0000000.014 | WASHER (DUZ 3/8" KALIN) (120) WASHER (DUZ 3/8" KALIN) (135/150) WASHER (DUZ 3/8" KALIN) (160/185/210) WASHER (DUZ 3/8" KALIN) (240) WASHER (DUZ 3/8" KALIN) (300) | | RONDELÂ DÜZ 3/8" KALIN |
| 46 | 1 | 10301601.010.120000000 10301501.010.120000000 10301201.010.120000000 10301401.010.120000000 10301402.010.120000000 | GEARBOX (120S) GEARBOX(135HS/150S/185S KACIK) GEARBOX (160HS/185HS/210H) GEARBOX (210S/240HS) GEARBOX (260SK) | | TDSP120H-1.3 TDSP135H-1.3 TDSP185H-1.3 TDSP240H-1.3 TDSP240S-1.3 |

YEDEK PARÇA LİSTESİ / SPARE PARTS LIST**MAIN BODY CONNECTION GROUP / ...****TDSP120S-1.1/TDSP135HS-1.1/TDSP150HS-1.1/TDSP160HS-1.1/ TDSP160SK-1.1 /TDSP185HS-1.1/TDSP210HS-1.1/ TDSP210SK-1.1****TDSP240HS-1.1/ TDSP240SK-1.1/ TDSP260SK-1.1//TDSP300HS-1.1**

| Poz Numarası Pos.number | Adet Amount | Sipariş Numarası Order Number | Açıklama Explanation | Standart Norm | Eski Kodu |
|----------------------------|----------------|----------------------------------|--|------------------|----------------------------|
| 47 | 2 | 93021.0000000.102 | BOLT- (CIV AKB M16x2x60x40 8.8) | | CİVATA AKB M16x2x60x40 8.8 |
| 48 | 1 | 93021.0000000.094 | BOLT- (CIV AKB M16x2x25 8.8) | | CİVATA AKB M16x2x25 8.8 |
| 49 | 2 | 93082.0000000.007 | NUT (SOM FIB M16x2) | | SOMUN FİBERLİ M16x2 |
| 50 | 1 | 93261.0000000.002 | SPINDLE CIRCLIPS-(SEG MIL Ø15x1 CK75) | DIN471 | SEGMAN MİL Ø15x1 CK75 |
| 51 | 1 | 10301201.010.090000000 | TENSION | | TDSP185H-1.28 |
| 52 | 1 | 92060.0301201.001 | TENSION SPRING | | TDSP185H-1.1.52 |
| 53 | 1 | 10501003.020.032000000 | SPECIAL WASHER | | TMSMHM-1.3.9.5 |
| 54 | 1 | 93261.0000000.008 | SPINDLE CIRCLIPS(SEG MIL Ø30x2,5 CK75) | DIN471 | SEGMAN MİL Ø30x2,5 CK75 |
| 55 | 1 | 10301201.010.162000000 | TENSION WELDED BODY | | TDSP185H-1.29 |
| 56 | 2 | 93071.0000000.019 | BEARING-RUL 6207 C3 2RS | | RULMAN 6207 C3 2RS |
| 57 | 1 | 93261.0000000.009 | SPINDLE CIRCLIPS (SEGMİL Ø35x1,5 CK75) | DIN471 | SEGMAN MİL Ø35x1,5 CK75 |

YEDEK PARÇA LİSTESİ / SPARE PARTS LIST**MAIN BODY CONNECTION GROUP / ...****TDSP120S-1.1/TDSP135HS-1.1/TDSP150HS-1.1/TDSP160HS-1.1/ TDSP160SK-1.1 /TDSP185HS-1.1/TDSP210HS-1.1/ TDSP210SK-1.1****TDSP240HS-1.1/ TDSP240SK-1.1/ TDSP260SK-1.1//TDSP300HS-1.1**

| Poz Numarası Pos.number | Adet Amount | Sipariş Numarası Order Number | Açıklama Explanation | Standart Norm | Eski Kodu |
|----------------------------|----------------|--|--|------------------|--|
| 58 | 1 | 92020.0301201.004 | BIG PULLEY | | TDSP185H-1.3.22 |
| 59 | 2 | 92150.0204302.021 | SQUARE TIGHTENING SHEET | | THKR18508YT-1.2.18 |
| 60 | 2 | 93110.0000000.003 | GREASE NIPPLE (DUZ 3/8") | | GRESÖRLÜK DÜZ 3/8" |
| 61 | 1 | 93140.0000000.005 | TRANSPARENT HOSE-600MM | | HORTUM ŞEFFAF 4/2 CDC POLÜRETAN |
| 62 | 1 | 93140.0000000.005 | TRANSPARENT HOSE-300MM | | HORTUM ŞEFFAF 4/2 CDC POLÜRETAN |
| 63 | 1 | 93062.0000000.005 | WASHER-M12 | | RONDELÂ DÜZ M12 |
| 64 | 1 | 93062.0000000.007 | WASHER-M16 | | RONDELÂ DÜZ M16 |
| 65 | 1 | 10301113.010.020000000 10301323.010.020000000 10301421.010.020000000 10301701.010.020000000 | REAR COVER WELDED 160 REAR COVER WELDED 210 REAR COVER WELDED 240 REAR COVER WELDED 260 | | |
| 66 | 1 | 10301101.010.030000000 10301301.010.030000000 10301401.010.030000000 10301701.010.040000000 | SWINGING SPINDLE (160) SWINGING SPINDLE (210) SWINGING SPINDLE (240) SWINGING SPINDLE (260) | | TDSP160H-1.2.5 TDSP210H-1.2.5 TDSP240H-1.2.5 TDSP260H-1.2.5 |
| 67 | 2 | 93120.0000000.009 | COTTER (5X50) | DIN94 | KOPİLYA 5x50 |

YEDEK PARÇA LİSTESİ / SPARE PARTS LİST

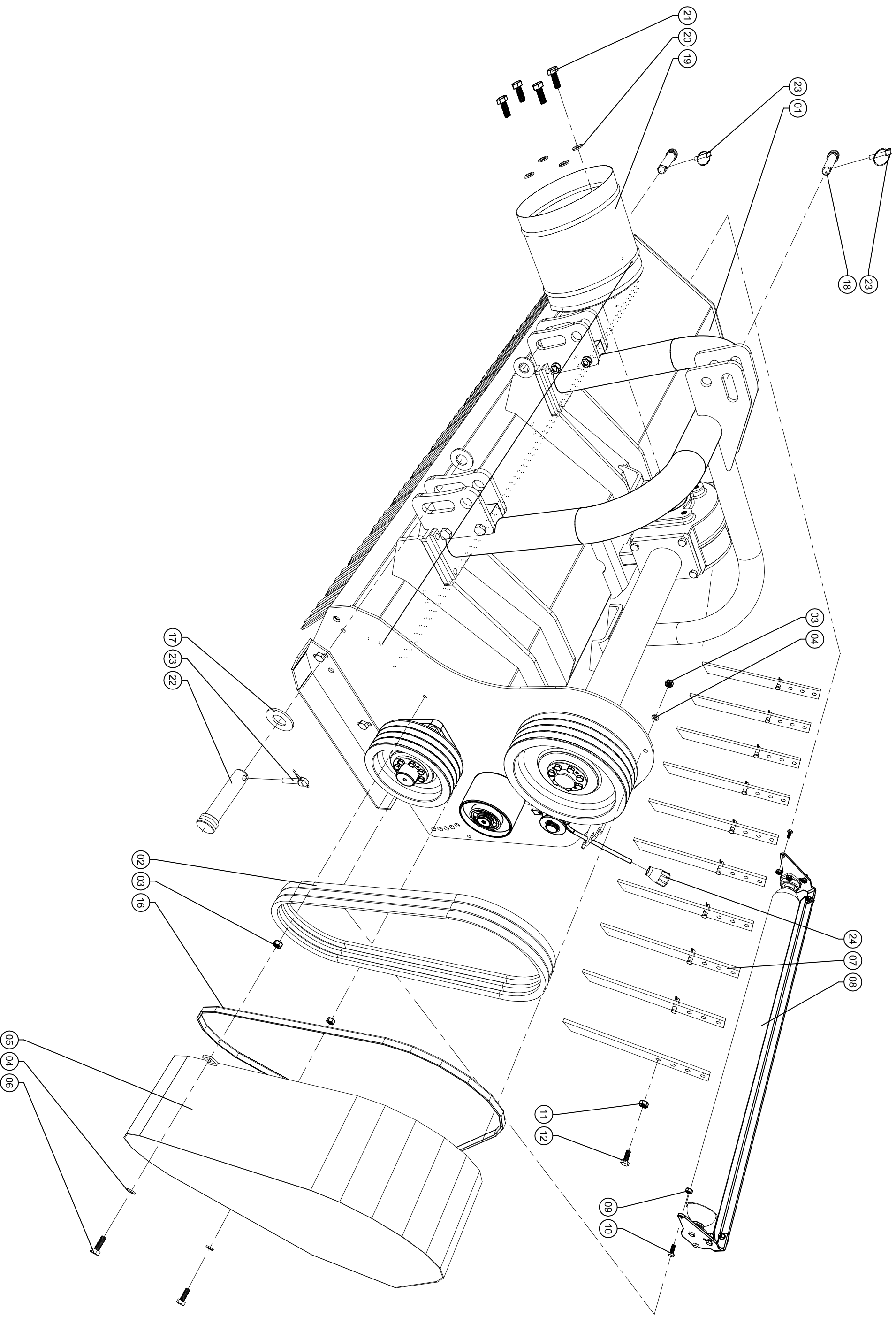
MAIN BODY CONNECTION GROUP / ...

TDSP120S-1.1/TDSP135HS-1.1/TDSP150HS-1.1/TDSP160HS-1.1/ TDSP160SK-1.1 /TDSP185HS-1.1/TDSP210HS-1.1/ TDSP210SK-1.1

TDSP240HS-1.1/ TDSP240SK-1.1/ TDSP260SK-1.1//TDSP300HS-1.1

| Poz Numarası Pos.number | Adet Amount | Sipariş Numarası Order Number | Açıklama Explanation | Standart Norm | Eski Kodu |
|-------------------------------|----------------|----------------------------------|-------------------------|------------------|-----------|
|-------------------------------|----------------|----------------------------------|-------------------------|------------------|-----------|

| | | | | | |
|----|---|-------------------|--------------------------------|--|--|
| 68 | 2 | 93021.0000000.009 | BOLT (CIV AKB M10x1,5x25 8.8) | | |
| 69 | 2 | 93082.0000000.001 | BOLT (CIV AKB FIBERLİ M10x1,5) | | |



TDSP185S-1

Dik Bıçaklı Sabit Sappargalama

YEDEK PARÇA LİSTESİ / SPARE PARTS LİST**GENERAL ASSEMBLY / ...****TDSP120S-1/TDSP135HS-1/TDSP150HS-1/TDSP160HS-1/TDSP185HS-1/TDSP210HS-1/TDSP240HS-1/TDSP300HS-1**

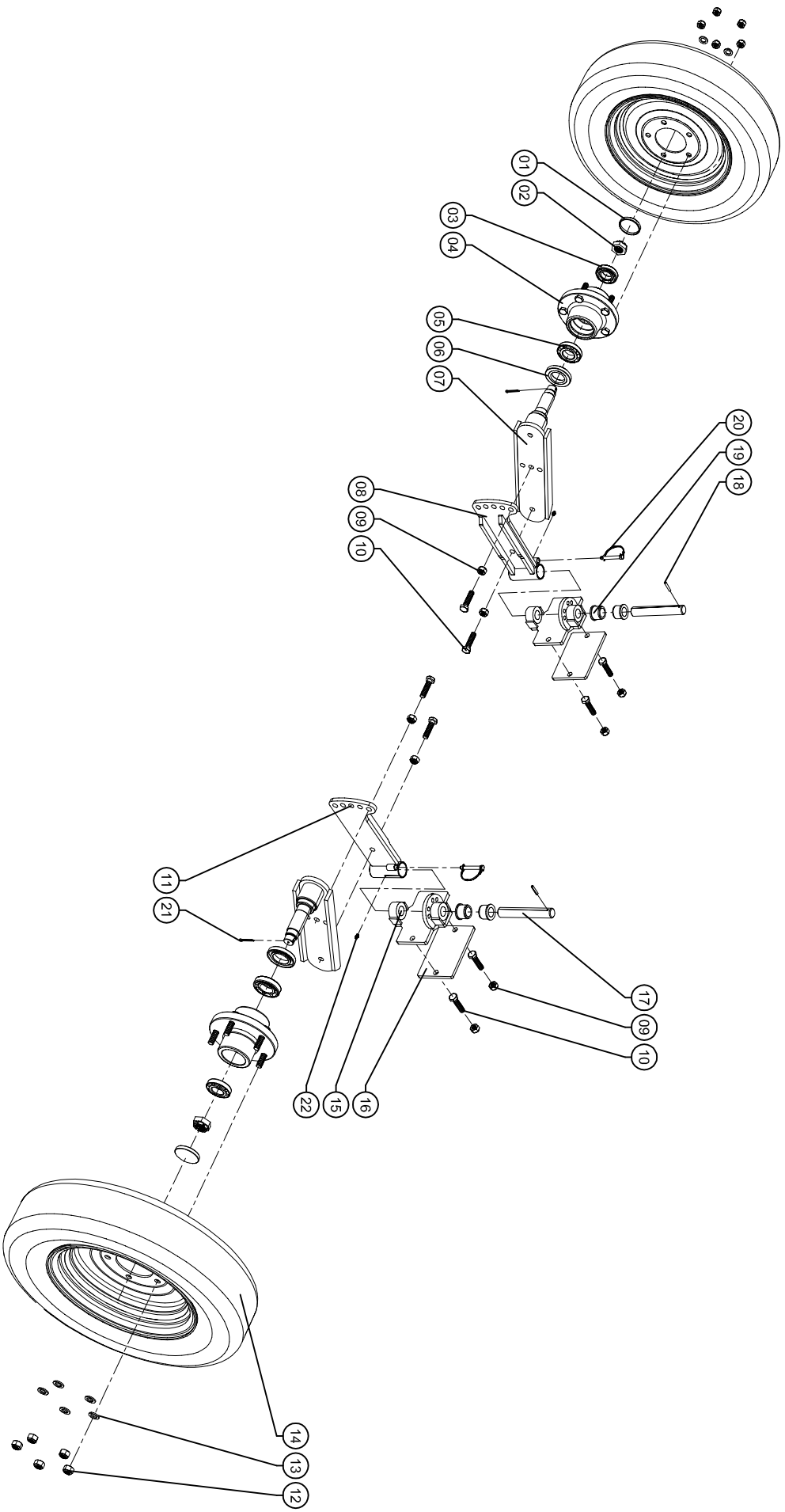
| Poz Numarası Pos.number | Adet Amount | Sipariş Numarası Order Number | Açıklama Explanation | Standart Norm | Eski Kodu |
|----------------------------|----------------|--|---|------------------|--|
| 01 | 1 | 10301601.011.000000000 10301501.011.000000000 10301502.011.000000000 10301001.011.000000000 ... 10301102.011.000000000 10301101.011.000000000 10301202.011.000000000 10301205.011.000000000 10301201.011.000000000 10301302.011.000000000 10301321.011.000000000 10301301.011.000000000 10301402.011.000000000 10301403.011.000000000 10301401.011.000000000 | MAIN BODY CONNECTION GROUP (120S) MAIN BODY CONNECTION GROUP (135S) MAIN BODY CONNECTION GROUP (135H) MAIN BODY CONNECTION GROUP (150S) MAIN BODY CONNECTION GROUP (150H) ... MAIN BODY CONNECTION GROUP (160S) MAIN BODY CONNECTION GROUP (160H) MAIN BODY CONNECTION GROUP (185S) MAIN BODY CONNECTION GROUP PROFILE(185H) MAIN BODY CONNECTION GROUP (185H) MAIN BODY CONNECTION GROUP (210S) MAIN BODY CONNECTION GROUP PROFILE(210H) MAIN BODY CONNECTION GROUP (210H) MAIN BODY CONNECTION GROUP (240S) MAIN BODY CONNECTION GROUP PROFILE(240H) MAIN BODY CONNECTION GROUP (240H) ... MAIN BODY CONNECTION GROUP (300S) MAIN BODY CONNECTION GROUP PROFILE(300H) MAIN BODY CONNECTION GROUP (300H) | | TDSP120S-1.1 TDSP135S-1.1 TDSP135H-1.1 TDSP150S-1.1 TDSP150H-1.1 TDSP160S-1.1 TDSP160H-1.1 TDSP185S-1.1 TDSP185H-1.1 PROFİL BAĞLANTILI TDSP185H-1.1 TDSP210S-1.1 TDSP210H-1.1 PROFİL BAĞLANTILI TDSP210H-1.1 TDSP240S-1.1 TDSP240H-1.1 PROFİL BAĞLANTILI TDSP240H-1.1 TDSP300S-1.1 TDSP300H-1.1 PROFİL BAĞLANTILI TDSP300H-1.1 |
| 02 | 3 | 93030.0000000.009 | V-BELT 17X1625 | | KAYIS-V 17X1625 |
| 03 | 3 | 93082.0000000.015 | NUT (SOM FIB M8X1,25) | | SOMUN FİBERLİ M8x1,25 |
| 04 | 3 | 93062.0000000.013 | WASHER (DUZ M8) | | RONDELÂ DÜZ M8 |
| 05 | 1 | 10301201.021.000000000 | PULLEY PROTECTION COVER | | TDSP185H-1.9 |
| 06 | 2 | 93021.0000000.159 | BOLT (CIV AKB M8X1,25X30 8.8) | | CİVATA AKB M8x1,25x30 8.8 |

YEDEK PARÇA LİSTESİ / SPARE PARTS LİST**GENERAL ASSEMBLY / ...****TDSP120S-1/TDSP135HS-1/TDSP150HS-1/TDSP160HS-1/TDSP185HS-1/TDSP210HS-1/TDSP240HS-1/TDSP300HS-1**

| Poz Numarası Pos.number | Adet Amount | Sipariş Numarası Order Number | Açıklama Explanation | Standart Norm | Eski Kodu |
|-------------------------------|--------------------------|---|--|------------------|--|
| 07 | 6 8 10 11 12 | 10301201.031.000000000 | SCRAPING LAMA (120/135) SCRAPING LAMA (150/160) SCRAPING LAMA (185) SCRAPING LAMA (210) SCRAPING LAMA (240) | | TDSP185H-1.2.5 (OPSİYONEL) |
| 08 | 1 | 10301601.021.000000000 10301501.021.000000000 10301001.021.000000000 10301101.021.000000000 10301201.041.000000000 10301301.021.000000000 10301401.021.000000000 ... | BACK ROLLER GROUP(120) BACK ROLLER GROUP(135) BACK ROLLER GROUP(150) BACK ROLLER GROUP(160) BACK ROLLER GROUP(185) BACK ROLLER GROUP(210) BACK ROLLER GROUP(240) BACK ROLLER GROUP(300) | | TDSP120S-1.5 TDSP135S-1.5 TDSP150S-1.5 TDSP160H-1.5 TDSP185H-1.5 TDSP210H-1.5 TDSP240H-1.5 TDSP300H-1.5 |
| 09 | 2 | 93082.0000000.003 | NUT (SOM FIB M12X1,75) | | SOMUN FİBERLİ M12x1,75 |
| 10 | 2 | 93021.0000000.043 | BOLT-(CIV AKB M12X1,75X35 8.8) | | CİVATA AKB M12x1,75x35 8.8 |
| 11 | 6 8 10 11 12 | 93100.0000000.001 | HAIR PIN (MASALI Ø3) (120/135) HAIR PIN (MASALI Ø3) (150/160) HAIR PIN (MASALI Ø3) (185) HAIR PIN (MASALI Ø3) (210) HAIR PIN (MASALI Ø3) (240) | | FİRKETE MAŞALI Ø3 (OPSİYONEL) |
| 12 | 6 8 10 11 12 | 10301201.052.000000000 | HARROW CONNECTION PIN (120/135) HARROW CONNECTION PIN (150/160) HARROW CONNECTION PIN (185) HARROW CONNECTION PIN (210) HARROW CONNECTION PIN (240) | | TDSP185H-1.2.6 (OPSİYONEL) |

YEDEK PARÇA LİSTESİ / SPARE PARTS LİST**GENERAL ASSEMBLY / ...****TDSP120S-1/TDSP135HS-1/TDSP150HS-1/TDSP160HS-1/TDSP185HS-1/TDSP210HS-1/TDSP240HS-1/TDSP300HS-1**

| Poz Numarası Pos.number | Adet Amount | Sipariş Numarası Order Number | Açıklama Explanation | Standart Norm | Eski Kodu |
|-------------------------------|----------------|----------------------------------|--|------------------|--|
| 13 | 2 | 92100.0204302.001 | HYDRAULIC HOSE(2SN DN12 DIN20022 BD 275-1/2"x240) | | HİDROLİK HORTUM 2SN DN12 DIN20022 BD 275-1/2"x240 |
| 14 | 4 | 93061.0000000.011 | COPPER WASHER (RON BAK-M22) | | RONDELÂ BAKIR M22 |
| 15 | 2 | 92160.0203401.010 | HYDRAULIC HOSE CONNECTION FITTING- THDR2109HOK-1.1.23 | | THDR2109HOK-1.1.23 |
| 16 | 1 | 92070.2000002.003 | GLASS CHANNEL-1975MM | | CAM FİTİLİ -1975MM |
| 17 | 4 | 10204302.072.000000000 | SPECIAL PIN WASHER- THKR18508YT-1.1.30 | | THKR18508YT-1.1.30 |
| 18 | 1 | 10301201.062.000000000 | UPPER HITCH PIN | | TDSP185H-1.1.6 |
| 19 | 1 | 10202101.150.000000000 | DRIVE PTO PROTECTION ASSEMBLY | | TSR14005O-1.28 |
| 20 | 4 | 93062.0000000.004 | WASHER (RON DUZ M10) | | RONDELÂ DÜZ M10 |
| 21 | 4 | 93021.0000000.008 | BOLT (CIV AKB M10X1,5X20 8.8) | | CİVATA AKB M10x1,5x20 8.8 |
| 22 | 2 | 92160.0204302.001 | BOTTOM ARM CONNECTION PIN | | THKR18508YT-1.1.17 |
| 23 | 3 | 93240.0000000.002 | LINCH PIN (ARMUT BASLI MASALI-Ø8) | | PİM ARMUT BAŞLI MAŞALI Ø8 |
| 24 | 1 | 92070.0801102.007 | KNOB | | TCDGSY082-1.2.9 |



| | | | |
|-----------------|----------------|------------|----------------|
| Sıra No | Grup Adı | Montaj Adı | Alt Montaj Adı |
| TDSP185SKT-1.31 | Tekerlek Grubu | ... | ... |

YEDEK PARÇA LİSTESİ / SPARE PARTS LİST
WHEEL GROUP / TDSP185SKT-1.31

...

| Poz Numarası Pos.number | Adet Amount | Sipariş Numarası Order Number | Açıklama Explanation | Standart Norm | Eski Kodu |
|-------------------------------|----------------|----------------------------------|--|------------------|-------------------|
| 01 | 2 | 93223.0000000.009 | PLUG PLASTIC (Ø85x8) | | |
| 02 | 2 | 93085.0000000.010 | NUT (SOM TAC- M30x1,5 8.8) | | |
| 03 | 2 | 93073.0000000.001 | BEARING (RUL 30207 ORS) | | |
| 04 | 2 | 92160.0301113.002 | WHEEL FLANGE DSP | | |
| 05 | 2 | 93073.0000000.002 | BEARING (RUL 30208 ORS) | | |
| 06 | 2 | 93041.0000000.042 | FELT OIL (KECE YAG 55x85x13) | | |
| 07 | 2 | 10301113.020.011000000 | WHEEL SPINDLE CONNECTION WELDED AND PAINTED | | TDSP160SKT-1.31.1 |
| 08 | 1 | 10301113.020.021000000 | WHEEL LEFT SPINDLE CONNECTION WELDED AND PAINTED | | TDSP160SKT-1.31.2 |
| 09 | 8 | 93082.0000000.007 | NUT (SOM FIB M16x2) | | |
| 10 | 8 | 93021.0000000.098 | BOLT (CIV AKB M16x2x45 8.8) | | |
| 11 | 1 | 10301113.020.031000000 | WHEEL RIGHT SPINDLE CONNECTION WELDED AND PAINTED | | TDSP160SKT-1.31.3 |
| 12 | 5 | 93084.0000000.008 | NUT (SOM SIKMALI M16x1,25) | | |

YEDEK PARÇA LİSTESİ / SPARE PARTS LIST
WHEEL GROUP / TDSP185SKT-1.31

...

| Poz Numarası Pos.number | Adet Amount | Sipariş Numarası Order Number | Açıklama Explanation | Standart Norm | Eski Kodu |
|-------------------------------|----------------|----------------------------------|--|------------------|-------------------|
| 13 | 5 | 93062.0000000.007 | WASHER (RON DUZ M16) | | |
| 14 | 2 | 92170.0301113.001 | CARRIER WHEEL RIM WITH TYRE DSP 6.00x16-TP8 | | |
| 15 | 2 | 10301113.020.041000000 | WHEEL BODY CONNECTION WELDED PAINTED | | TDSP160SKT-1.31.4 |
| 16 | 2 | 92150.0301401.014 | WHEEL TWO HOLES INSIDE SHEET | | |
| 17 | 2 | 92160.0301113.004 | WHEEL BEDDING SPINDLE | | |
| 18 | 2 | 93200.0000000.005 | SPILTED PIN (Ø5x50) | | |
| 19 | 4 | 92070.0102103.001 | PLASTIC BUSHING TSCM | | TSCM3T2HB-1.3.4 |
| 20 | 2 | 92060.1501002.005 | SPRING PIN | | TOT-1.23 |
| 21 | 2 | 93120.0000000.008 | COTTER (5X40) | | |
| 22 | 2 | 93110.0000000.005 | GREASE NIPPLE FLAT (M6) | | |