

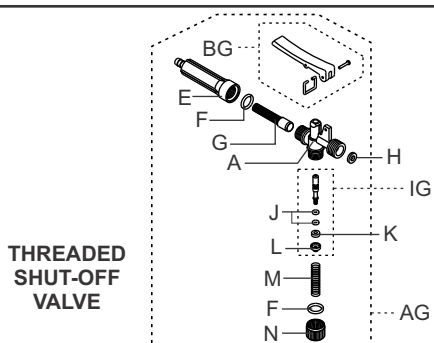
## FACTORY-INSTALLED UPGRADE OPTIONS



TELESCOPIC SPRAY LANCE

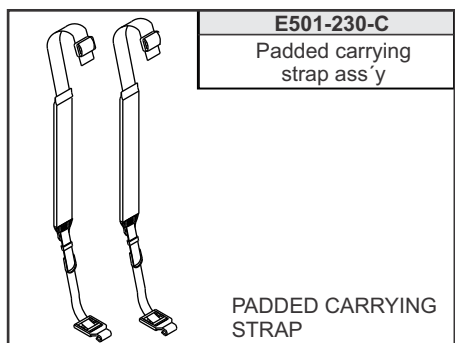
E219-236-C

Telescopic spray lance  
assy



THREADED  
SHUT-OFF  
VALVE

A E807-073	M E803-067
Valve body	Plunger spring
E E807-175	N E803-064
Filter housing	Cap
F E803-060	AG E807-175-C
O-ring	Heavy duty shut-off valve
G E807-074	BG E803-072-C
Filter insert	Valve lever ass'y
H E803-114	IG E803-061-C
Gasket - N	Plunger ass'y
J E803-068	L E803-065
Oring-V (2 pcs)	Metal support
K E803-061	
Pin gasket -V	



E501-230-C  
Padded carrying  
strap ass'y

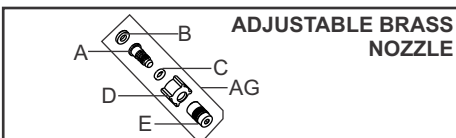
PADDED CARRYING  
STRAP

**SWISSMEX®**

Calle Swissmex No. 500  
Col. Las Ceibas,  
47440 Lagos de Moreno  
Jalisco, México

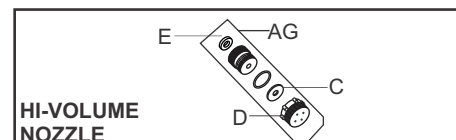
Fax 474-7420856  
" 474-7424185  
" 474-7420300  
" 474-7420400

internet - [www.swissmex.com.mx](http://www.swissmex.com.mx)  
E-mail - [swissmex@swissmex.com.mx](mailto:swissmex@swissmex.com.mx)



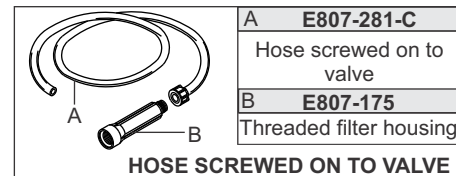
ADJUSTABLE BRASS  
NOZZLE

A E803-092	D E803-090
Nozzle body	Nozzle nut (2 pcs)
B E803-114	E E803-087
Gasket	Nozzle cap
C E803-083	AG E803-092-C
O-ring	Nozzle body ass'y



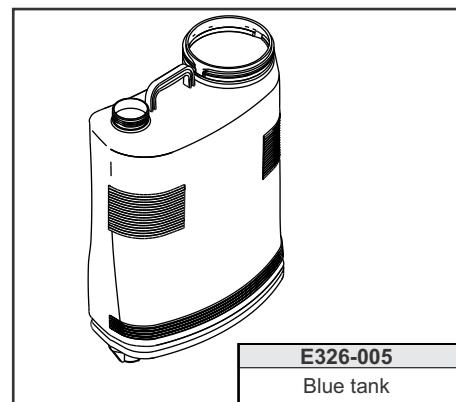
HI-VOLUME  
NOZZLE

AG E219-610-C	D E219-133
Hi-volume nozzle 11/16" thread aluminium	Hi-volume nozzle cap
C E219-134	E E803-114
Hi volume nozzle gasket	Gasket



HOSE SCREWED ON TO VALVE

A E807-281-C
Hose screwed on to valve
B E807-175
Threaded filter housing



E326-005

Blue tank

## OPERATING HINTS AGRICULTURAL KNAPSACK SPRAYER MODEL 326

### Dear Customer:

You have purchased one of the best knapsack sprayers on the market today. For the best performance of your sprayer and for your own security please read and observe the following information:

### FOR YOUR SAFETY AND COMFORT

1. Before using, filling or cleaning any sprayer, read all parts of this sheet.
2. Read and follow all instructions of chemical suppliers.
3. Wear protective clothing, respirator, gloves, eye protection, etc; when using, filling or cleaning the sprayer.
4. Keep connections well tightened to prevent leaks.
5. Never fill the sprayer with hot liquids. Max 30 C= 86 F.
6. Do not use your sprayer to apply caustic, corrosive or flammable solutions.
7. Before cleaning or servicing the sprayer allow all pressure to escape.
8. Never store formula in a sprayer for more than a few hours.
9. Do not leave any sprayer in reach of children or persons not qualified to use it in correct fashion.

### HOW TO ASSEMBLE

1. Take out the pump tube with the hose and shut-off valve that is inside of the tank. Insert the pump tube through the small opening on the tank until it finds the cylinder.
2. Introduce the lever (22G) in the pump tube opening on top (27) (use some grease if necessary), place the washer (18) and fix it with the "C" pin (71).
3. Place another washer (18) on the base shaft (19).
4. Attach the handle on the shaft and lever at the same time (use some grease if necessary).
5. Place the remaining washer (18) on the shaft and the lever fixing them with "C" pin (71) and the handle fixing them with "R" pin.
6. Attach the spray lance (59) to the shut-off valve (45G). Tighten securely by hand.

### HOW TO PREPARE YOUR UNIT FOR USE

1. Remove cap.
2. Use always the strainer when filling the tank up with liquid.
3. Mix solution in a separate receptacle, following manufacturer's directions on the container.
4. Pour pre-mixed solution into sprayer and cap.
5. Place the sprayer on back and pressurize tank by pumping 10 to 15 times approx.
6. You will need to pump once each 3 or 4 seconds to maintain the desired spraying pressure.
7. Always oil the seal on cap of unit as well as the breather valve, this will extend life of seal and is important for obtaining a proper seal for no leaks.
8. A unit that has been used with herbicides should never be used to spray insecticides, unless the sprayer has been properly cleaned and all the chemicals neutralized. Failure to do this could cause you to kill plants that have been sprayed. Consult the manufacturer of the chemicals in use to obtain proper instructions.

### HOW TO CLEAN & MAINTAIN

1. Allow pressure to escape. Remove cap and pour out remaining solution, then rinse all parts thoroughly with clean water.
2. Leaving approximately ½ gallon of fresh water in tank, pressurize and flush pumping system by depressing trigger at least 2 minutes, then drain all remaining water.
3. Carrying straps will not absorb chemicals. In the event of a formula spill, however, tank and straps should be properly cleaned with water to eliminate all possible risk of skin irritation.
4. Always store tank clean and empty in a dry, shaded location.

### HOW TO SERVICE THE PUMPING SYSTEM

1. Remove the pump tube (27) from the cylinder (33 G).
2. Remove the nut (42) from the cylinder.
3. Remove the cylinder.
4. With a screw driver push the valve holder (39) outside the cylinder.
5. Loosen plastic valve bolt (35) (using the wrench included unscrew the valve bolt counter-clockwise) and clean or change the seals if necessary.
6. Place the ball and valve bolt on the ball holder.
7. Place again the valve holder in the cylinder checking that its groove aligns with the cylinder notch.

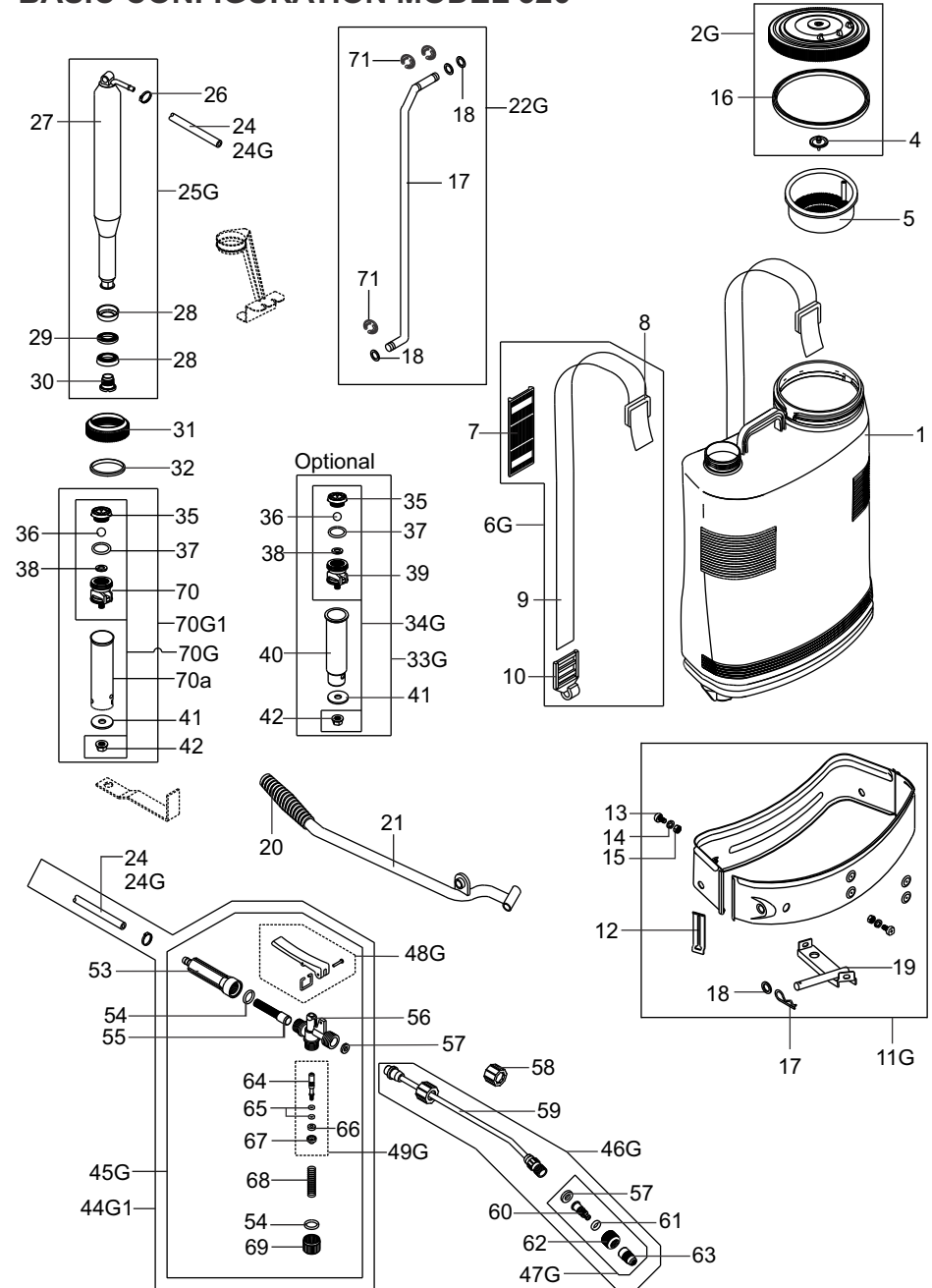
### COMMON PROBLEMS AND POSSIBLE CORRECTIONS

PROBLEM	CAUSE	SOLUTION
Cylinder leaks on top	Piston sleeve worn	Change the piston sleeve
The pump handle goes downwards	Valve seat dirty or worn	Clean or change valve seat
The pump handle goes upwards	Piston sleeves broke or clogged	Clean or change the piston sleeves

### BASIC CONFIGURATION

Part	Code	Description	Part	Code	Description
1	E326-205	Tank	37	EG10061NC	Valve bolt o-ring
2G	E326-001-C	Tank lid ass'y	38	E326-031	Valve seat
4	E501-020	Breather check	39	E326-057	Valve holder
5	E501-004	Strainer	40	E326-224	Cylinder
6G	E501-034-C	Carrying strap ass'y (2pcs)	41	E326-039	Washer
7	E501-025	Shoulder pad	42	E326-046	Nut
8	E501-035	Strap buckle	44G1	E807-065-C1	Hose with valve body ass'y
9	E501-034	Carrying strap	45G	E807-075-C	Valve body ass'y
10	E189-036	Strap hook	46G	E803-285-C	Spray lance ass'y
11G	E326-006-C	Base ass'y	47G	E803-262-C	Nozzle body ass'y
12	E326-008	Clip	48G	E803-072-C	Valve lever ass'y
13	E326-002	Screw 1/4X1/2"	49G	E803-067-C	Plunger ass'y
14	E768-073NC	Washer 1/4 X 1/2"	53	E807-075	Filter housing
15	E768-077NC	Nut 1/4"	54	E803-060	Arosello para tapón
16	E501-002	Lid gasket	55	E807-074	Filtro para 807
17	E501-051	"R" pin	56	E807-173	Valve body 807
18	E326-037	Washer 5/16"	57	E803-114	Gasket "N"
19	E326-226	Pump shaft	58	E803-059	Nut
20	E501-015	Handle grip	59	E803-085	Spray lance
21	E326-016	Pump handle	60	E803-262	Nozzle body
22G	E326-012-C	Pump lever ass'y	61	E803-083	O-ring
24	E803-081	Hose 3/8"	62	E219-211	Nozzle nut
24G	E803-081-C	Hose 3/8"with fittings	63	E803-263	Nozzle cap
25G	E326-019-C	Pump tube with pistons	64	E803-166	Plunger
26	E501-082	Hose clamp	65	E803-068	O-ring "V" (2 pcs)
27	E326-019	Pump tube	66	E803-063	Pin gasket "N"
28	E326-054	Piston cup	67	E803-065	Metal support
29	E326-030	Piston spacer	68	E803-067	Plunger
30	E326-033	Piston fitting	69	E803-164	Cap
31	E326-003	Pump holder nut	70	E326-032	Valve holder
32	E326-201	Bushing guide	70a	E326-021	Cylinder
33G	E326-224-C	Cylinder ass'y	70G	E326-032-C	Check valve ass'y
34G	E326-057-C	Check valve ass'y	70G1	E326-021-C	Cylinder ass'y
35	E326-055	Valve bolt	71	E289-014	"C" pin
36	E326-083	Plastic check ball			

### BASIC CONFIGURATION MODEL 326



#### NOTES:

\*For practical time-saving, accessories, special nozzle tips, etc., please refer to spec sheet "OPTIONAL SWISSMEX-RAPID ACCESSORIES".

In the interest of continued technologic progress specifications are subject to change without notice.